

Conveyor Belt Misalignment Switch

MRS



APPLICATION

Kiepe Belt Misalignment Switches MRS are used in conveyor installations for monitoring the true running of conveyor belts. Constructed from fibre reinforced plastic and stainless steel the MRS, being resistant to ammonia can successfully operate in extreme and harsh environments such as salt mines, composting, recycling plants as well as harbour areas.

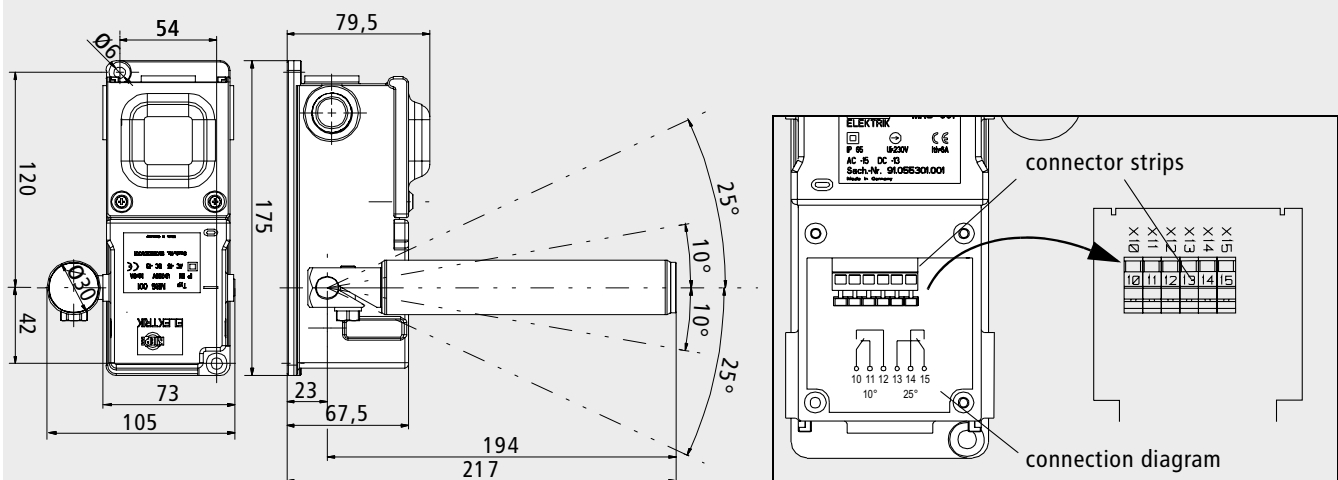
The stainless steel roller (30 mm diam.) permits the monitoring of fast running conveyors up to 5 m/s. Standard features include two self cleaning switching elements which qualify the switch to be used for the classic relay circuits and cable signalling devices such as field buses.

TECHNICAL DATA

Device complies with	EN 60947-5-1 EN 60204 VDE 0110 - degree of pollution: 2 (interior), 4 (exterior)
Housing	PBT GF20; yellow, similar to RAL 1004
Mounting	By means of two M6 bolts
Cable entry	3 x M25 x 1,5
Protection	IP 67 according to EN 60529
Rated insulation voltage U_i	AC 250 V
Ambient temperature	-25 °C ... +70 °C
Switching system	2 self cleaning changeover contacts
Switching points	10° and 25°
Excursion	75° max.
Conventional thermal current I_{th}	6 A
Switching capacity	AC-15: 230 V / 1,5 A DC-13: 60 V / 0,5 A
Connections	2,5 mm ² max.
Ordering code	91.063 294.001

Note: The devices may be used in control circuits only!

DIMENSIONS



Subject to change without notice.

Vossloh Kiepe GmbH

40599 Düsseldorf (Germany) · Kiepe-Platz 1
Phone +49(0)211 74 97-0 · Fax +49(0)211 74 97-420
info@kiepe-elektrik.com · www.kiepe-elektrik.com

444/3-05/13